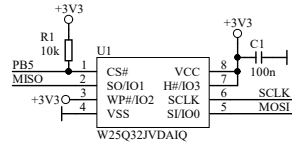
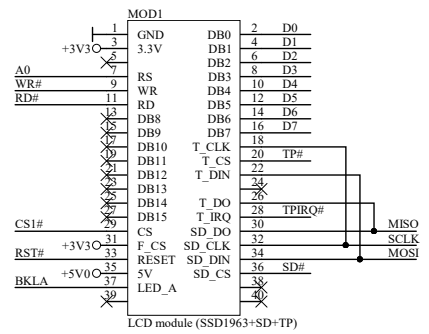
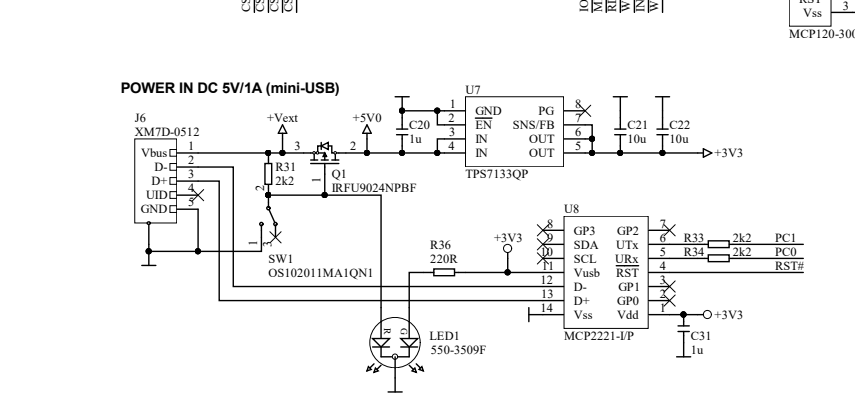
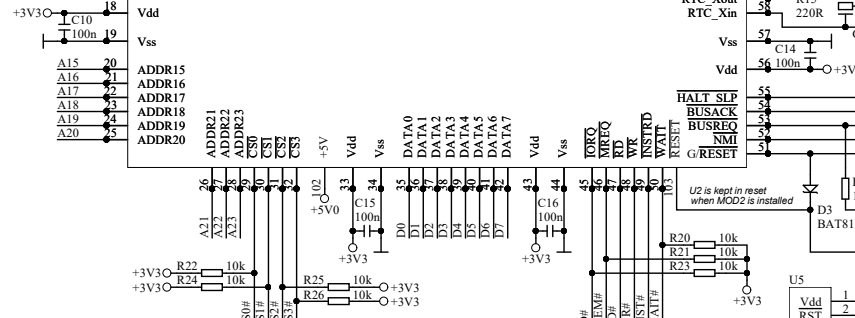
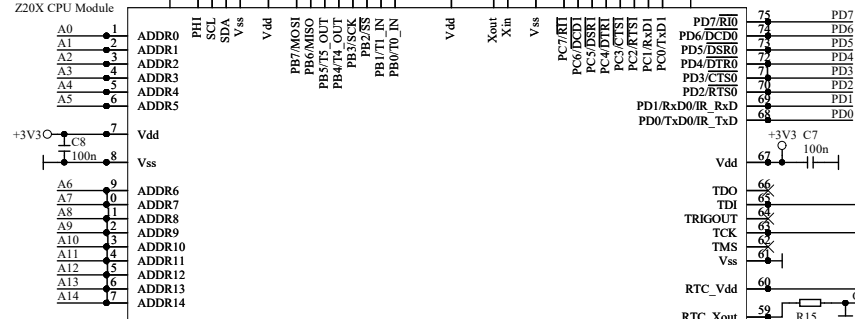
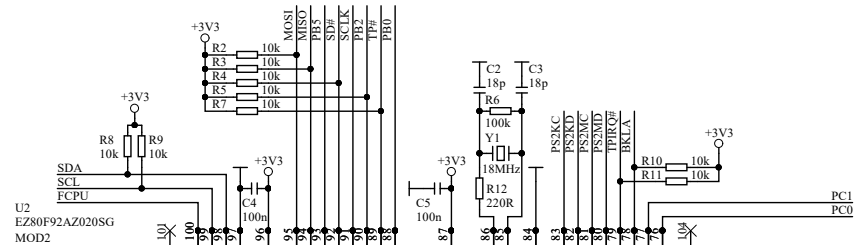
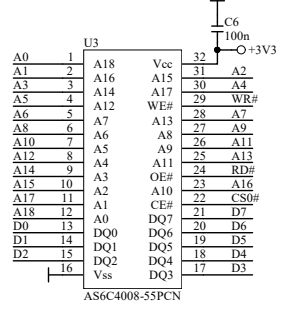


Z20X COMPUTER

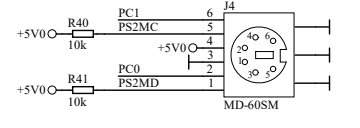
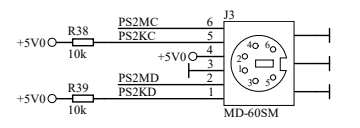
(C) KnivD, revision 1.3, June 2020



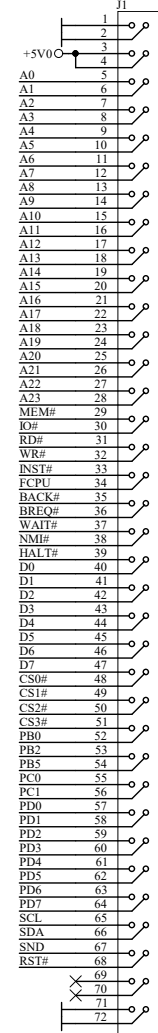
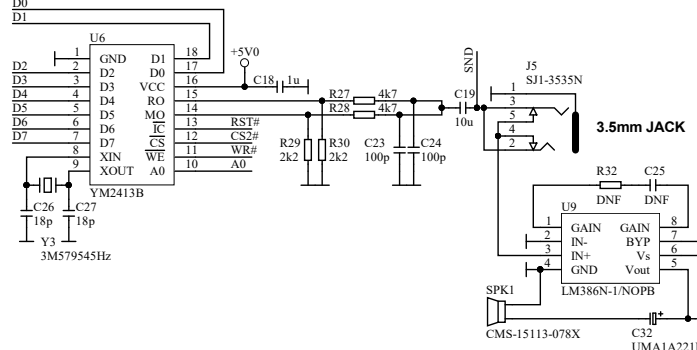
OPTION: FLASH EEROM
NOTE: PB5 becomes FLASH_CS#



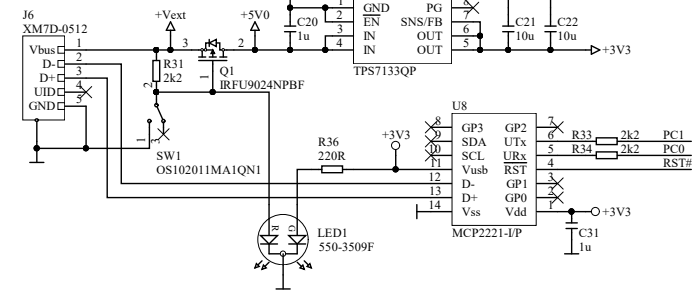
PS/2 KEYBOARD (+ MOUSE)



PS/2 MOUSE (+ UART)



POWER IN DC 5V/1A (mini-USB)



3.5mm JACK

